

YS-Q440 YS-Q440P

Quad Switcher





Helping maximize your security system performance

The Sony YS-Q440 (NTSC/EIA) and YS-Q440P (PAL/CCIR) are high performance Quad Image splitters with an auto sequential switcher. Accepting up to four video inputs, these quad switchers allow four compressed, split video pictures to be simultaneously displayed on a single monitor and recorded with a VCR. The YS-Q440 and YS-Q440P also have an automatic switching function for the sequential viewing of pictures from each of the four cameras. An external sync input allows two or more units to operate synchronously in large surveillance systems.

The YS-Q440 and YS-Q440P have a high resolution of 220 TV lines. System flexibility is increased as any camera with a composite video out, either asynchronous or synchronous, color or black and white, can be used.

*The YS-Q440
and YS-Q440P
also include
a built in*

character generator, video loss function and remote control capability via an RS-232C port. With all these features and more, these quad switchers make an important contribution to effective monitoring and recording control in surveillance systems.



Front Panel



FEATURES

● Quad Picture Display

The YS-Q440 and YS-Q440P have four video inputs, allowing up to four pictures to be simultaneously displayed on a monitor and recorded with a VCR. Moreover, each video input can be independently monitored at full-screen size, enabling these switchers to be used as a four-channel video selector. Any combination of four color or black and white cameras, such as Sony SSC/SPT Series cameras, can be used with the YS-Q440 and YS-Q440P.

● High Picture Quality

The four-division split screen display of the YS-Q440 and YS-Q440P has 220 TV lines. Each video input is converted into an 8-bit (256 gradation) signal for processing in one of four frame memories, reproducing compressed images with high resolution.

● Built-in Character Generator

To identify each camera input, up to eight characters can be superimposed on to each of the four compressed pictures, or on a single full-screen size picture. Time, date and alarm information can also be superimposed.

● Automatic Sequential Switching

The YS-Q440 and YS-Q440P have an automatic switching function for the sequential viewing of pictures from any of the four cameras. The automatic switching interval between cameras can be selected in one-second increments from 1 to 30 seconds.

● Freeze Picture Function

In Quad mode, all or any one of the compressed pictures can be frozen to give a clear, still image display.

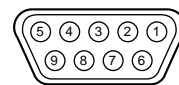
● External Sync Input/Output

With sync input/output connectors, two or more quad switchers can be operated synchronously to provide larger, more flexible surveillance systems.

● RS-232C Remote Control Port

The YS-Q440 and YS-Q440P are equipped with an RS-232C remote control port, allowing them to be controlled by a computer. All operations can be remotely controlled through this port.

D-sub 9-pin Remote Control Connector Pin Assignment



Pin NO.	Control Function	Remarks
1	—	—
2	TXD (transmitted data)	Connects to RXD
3	RXD (received data)	Connects to TXD
4	—	—
5	SG (signal ground)	Connects to SG
6	—	—
7	—	—
8	—	—
9	—	—

● Alarm Functions

The YS-Q440 and YS-Q440P have four alarm sensor inputs. Whenever an alarm signal is received, the alarm buzzer sounds and an "A" appears on the screen. Time lapse VCRs can be activated through the alarm trigger output of the YS-Q440 and YS-Q440P.

● Video Loss Detection

In the case that a video input is lost, a message indicating channel number loss will be displayed on the monitor.

● Other Features

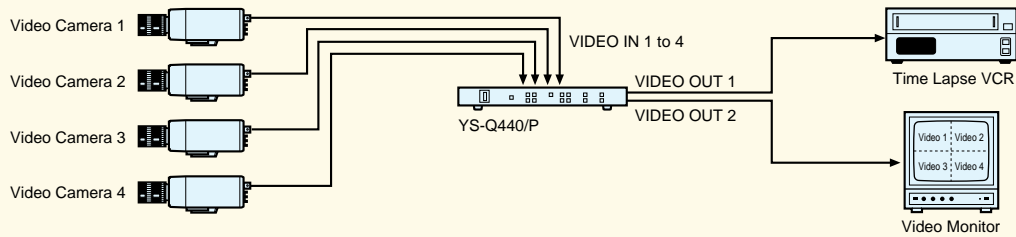
1U height, rack mountable
 Loop-through video inputs with auto termination
 Low power consumption

Rear Panel

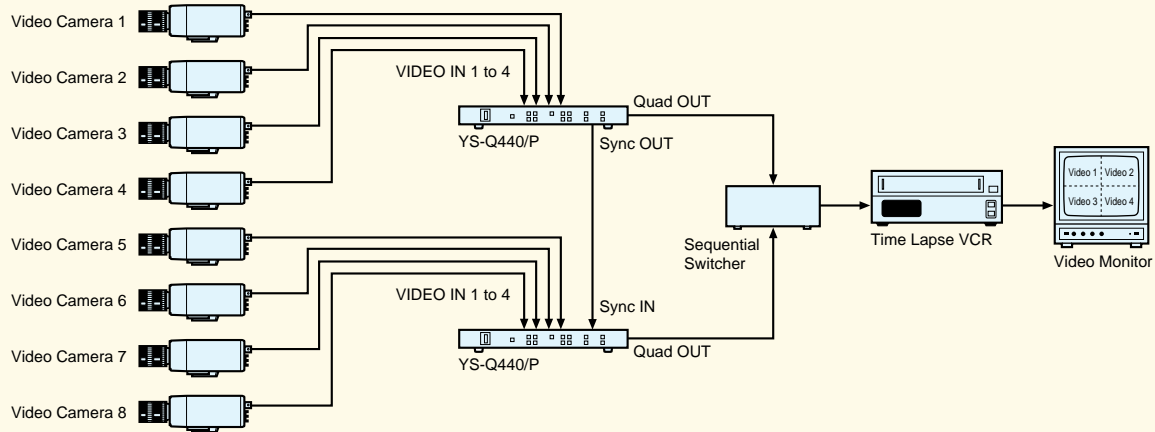


System Examples

Single YS-Q440/P operation



YS-Q440/P operation with sequential switcher



Specifications

General

Video signal system: YS-Q440: NTSC/EIA standard
YS-Q440P: CCIR/PAL standard

Power requirements: YS-Q440: AC 100 to 120 V, 50/60 Hz
YS-Q440P: AC 220 to 240 V, 50 Hz

Power consumption: Less than 10 W

Operating temperature: 0 to 40°C (32 to 104°F)

Storage temperature: -20 to 60°C (-4 to 140°F)

Mass: Approx. 3.8 kg (8 lb 4 oz)

Video input/output

Video input: VIDEO INPUT CH1 to CH4, 1.0 Vp-p, 75 Ω automatic termination
Input (BNC type) × 4
Loop through output (BNC type) × 4

Video output: VIDEO OUT (BNC type) × 1
Quad-picture image signal
1.0 Vp-p, 75 Ω
VIDEO OUT (BNC type) × 1
Quad, Sequential, Full screen signal (selectable)
1.0 Vp-p, 75 Ω

Sync

External SYNC IN 1.0 Vp-p, 75 Ω VBS or VS signal
External SYNC OUT 1.0 Vp-p, 75 Ω VBS or VS signal

Control

Remote connector: REMOTE (D-sub 9 pin RS-232C port)

Alarm input: ALARM IN terminal × 4
CMOS "L" level or MAKE

Alarm output: ALARM OUT terminal × 1
Relay Out, switching DC 30 V at up to 2 A
RESET OUT terminal × 1
Open Collector Output up to 12 V 20 mA

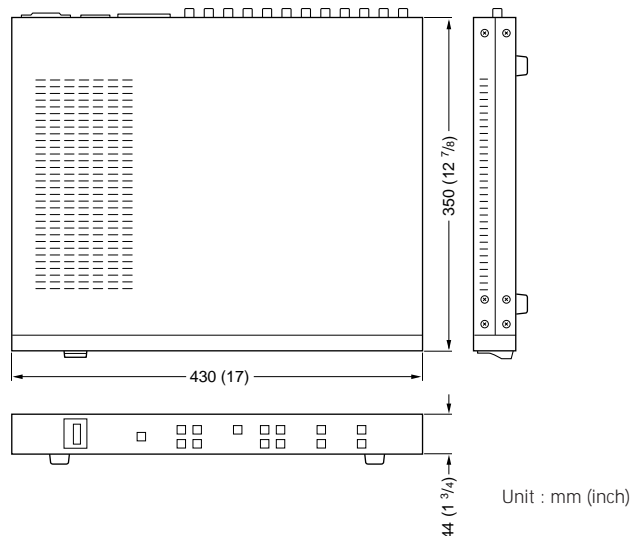
Other

Alarm hold duration: 1 to 30 s (one second increments)
30 to 180 s (ten second increments)
Manual reset

Auto sequential duration: 1 to 30 s (one second increments)

Picture tone: 8-bit video (256 gradations)

Dimensions:



* CE approved (CCIR / PAL)

Distributed by

© 1998 Sony Corporation. All rights reserved.
Reproduction in whole or in part without written permission is prohibited.
Features and specifications are subject to change without notice.
All non-metric weights and measures are approximate.
Sony is a registered trademark of Sony Corporation.